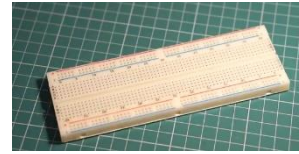


## 1. How to use a breadboard.

Watch the video: [How to use a breadboard](#) and answer to the following questions.



1. What is a breadboard for?
2. Is there a connection points between the points on the figure 1?
 

P1 and P2	<input type="checkbox"/> True	<input type="checkbox"/> False
P2 and P3	<input type="checkbox"/> True	<input type="checkbox"/> False
P4 and P5	<input type="checkbox"/> True	<input type="checkbox"/> False
P5 and P7	<input type="checkbox"/> True	<input type="checkbox"/> False
P4 and P7	<input type="checkbox"/> True	<input type="checkbox"/> False
P5 and P6	<input type="checkbox"/> True	<input type="checkbox"/> False
P6 and P8	<input type="checkbox"/> True	<input type="checkbox"/> False
P9 and P10	<input type="checkbox"/> True	<input type="checkbox"/> False
P4 and P9	<input type="checkbox"/> True	<input type="checkbox"/> False
P10 and P11	<input type="checkbox"/> True	<input type="checkbox"/> False
P4 and P12	<input type="checkbox"/> True	<input type="checkbox"/> False
P11 and P12	<input type="checkbox"/> True	<input type="checkbox"/> False
P5 and P12	<input type="checkbox"/> True	<input type="checkbox"/> False

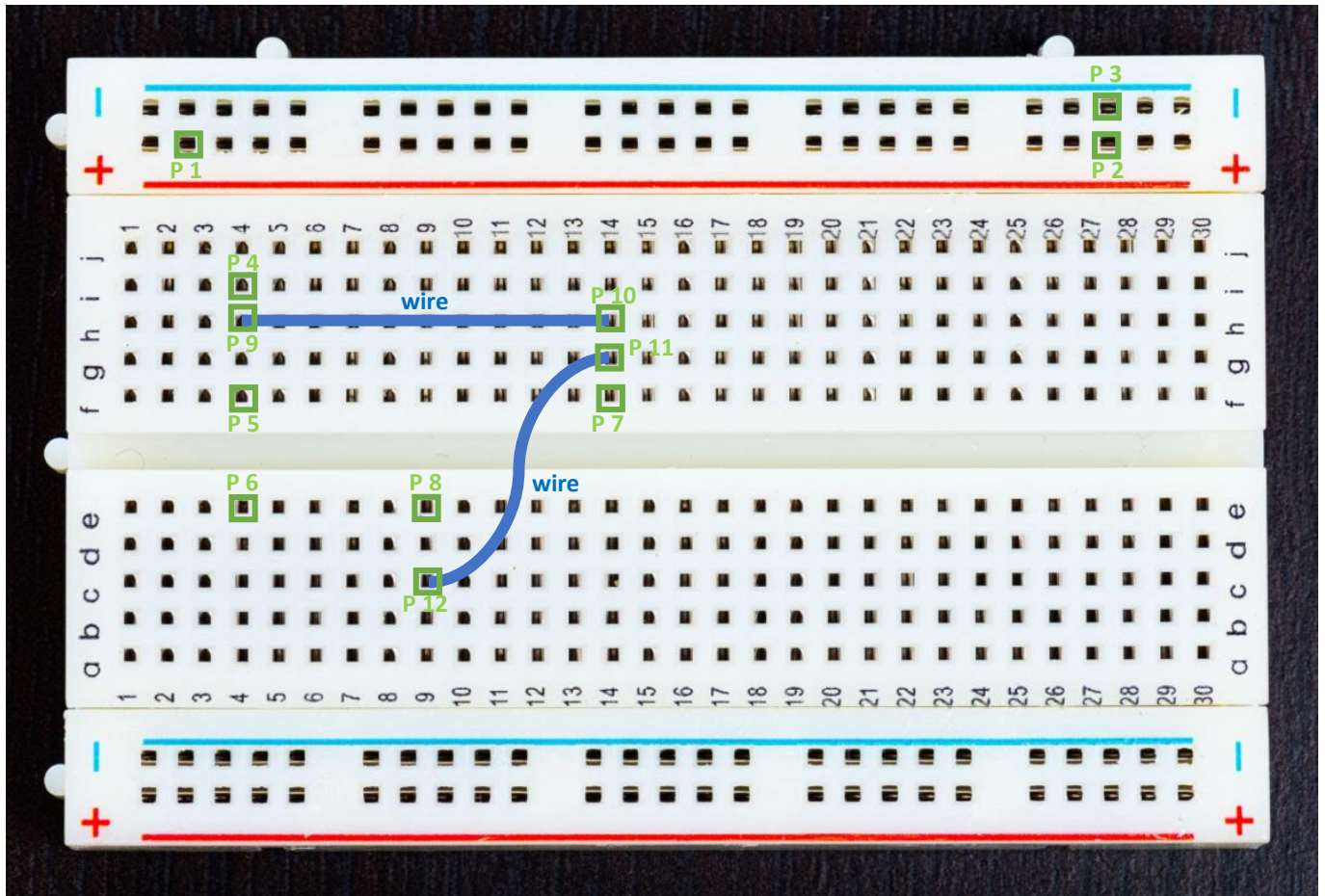


Figure 1: breadboard